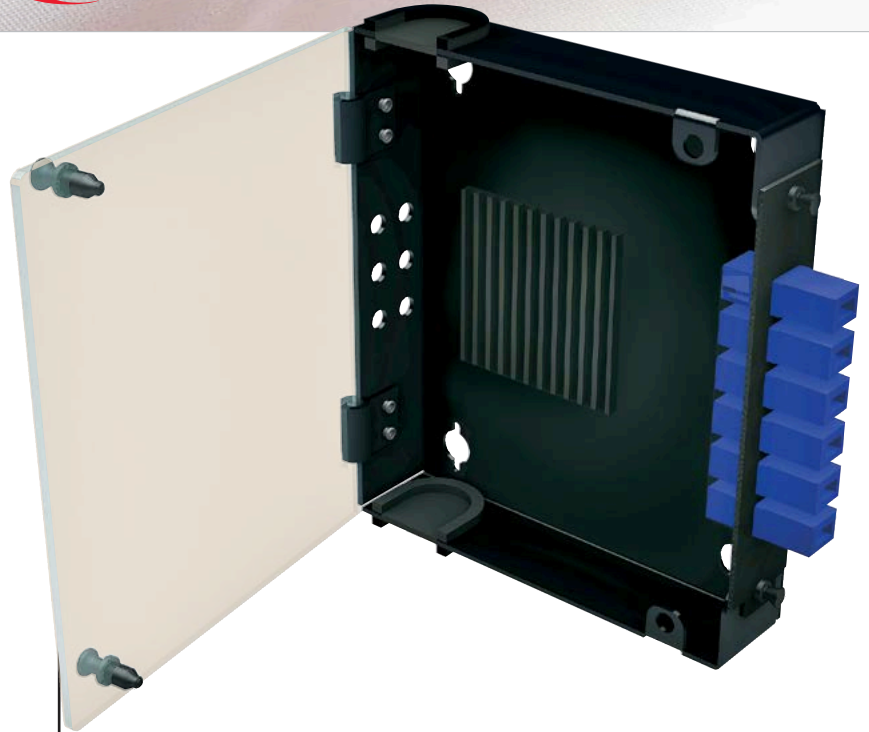


Fiber Optic Indoor Wall Mount Enclosure



Features

- Hinged Lexan front door.
- Ideal for splice management, cross-connect or both.
- Top and bottom cable entry.

Benefits

- Corrosion resistant for long life.
- Powder coat paint process provides superior resistance to chipping from dents and scratches.
- Cost effective.

Available Colors

- Black or white



AM-FWM 6 Panel Interconnect & Splice Enclosure

The American Products AM-FWM is used in areas where space is at a premium and access to the environment is controlled.

The enclosure is ideal for cross-connect, splice management or both, and comes with an adapter plate that accommodates up to 12 fibers.

Alternatively, other AM adapter plates may be used to suit the application.

The enclosure is of all aluminum construction with a central office white or black powder coat paint finish and a smoked Lexan door.

ORDERING

Indoor Rack Mount Enclosure

AM-FWM - XXX

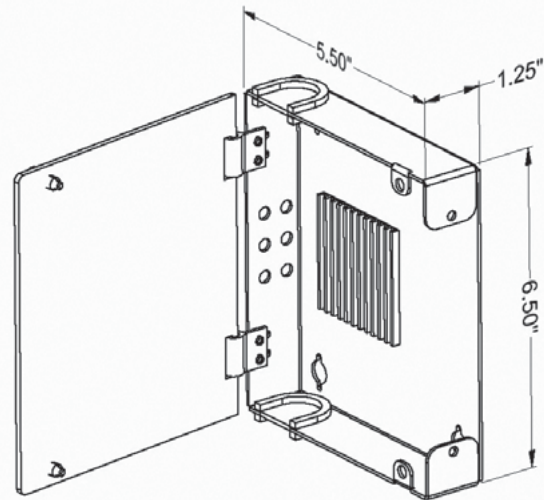
Color WHT - white
BLK - black

American Fiber Distribution Series FWM Enclosure

AM-FWM

Wall Mount Cabinet 1 Adapter Capacity

Fiber Optic Distribution Enclosures

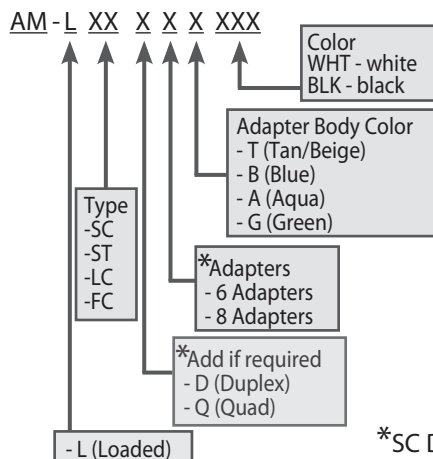


Technical Specifications

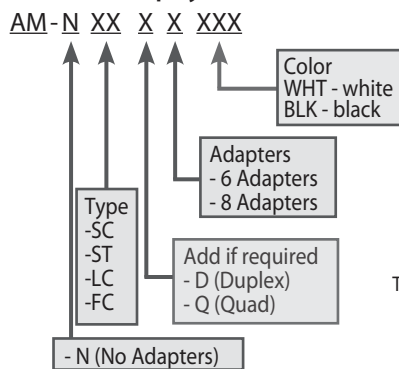
Catalog Number	AM-FWM
Height	6.5
Width	5.5
Depth	1.25
Adapter Capacity	± 8
Splice Capacity	12

Part Number Matrix for AM Series Loaded/Unloaded Fiber Optic Adapter Plates

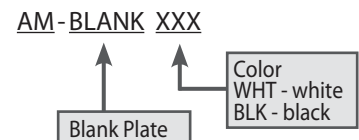
Loaded Plates



Empty Plates



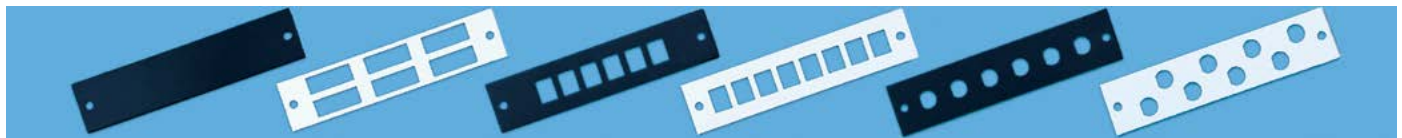
Blank Plates



Adapter Body Color Scheme:

- Tan/Beige - Multi-mode, Phos. Bronze Sleeve
 - Blue - Single-mode, Ceramic Sleeve
 - Aqua - Multi-mode (10 GIG), Phos. Bronze Sleeve
 - Green - Single-mode (APC), Ceramic Sleeve
- Other colors available, minimum orders may apply.*

*SC Duplex and LC Quad adapters only available in quantity of 6 adapters per plate.



Call a Sales Representative for Assistance.