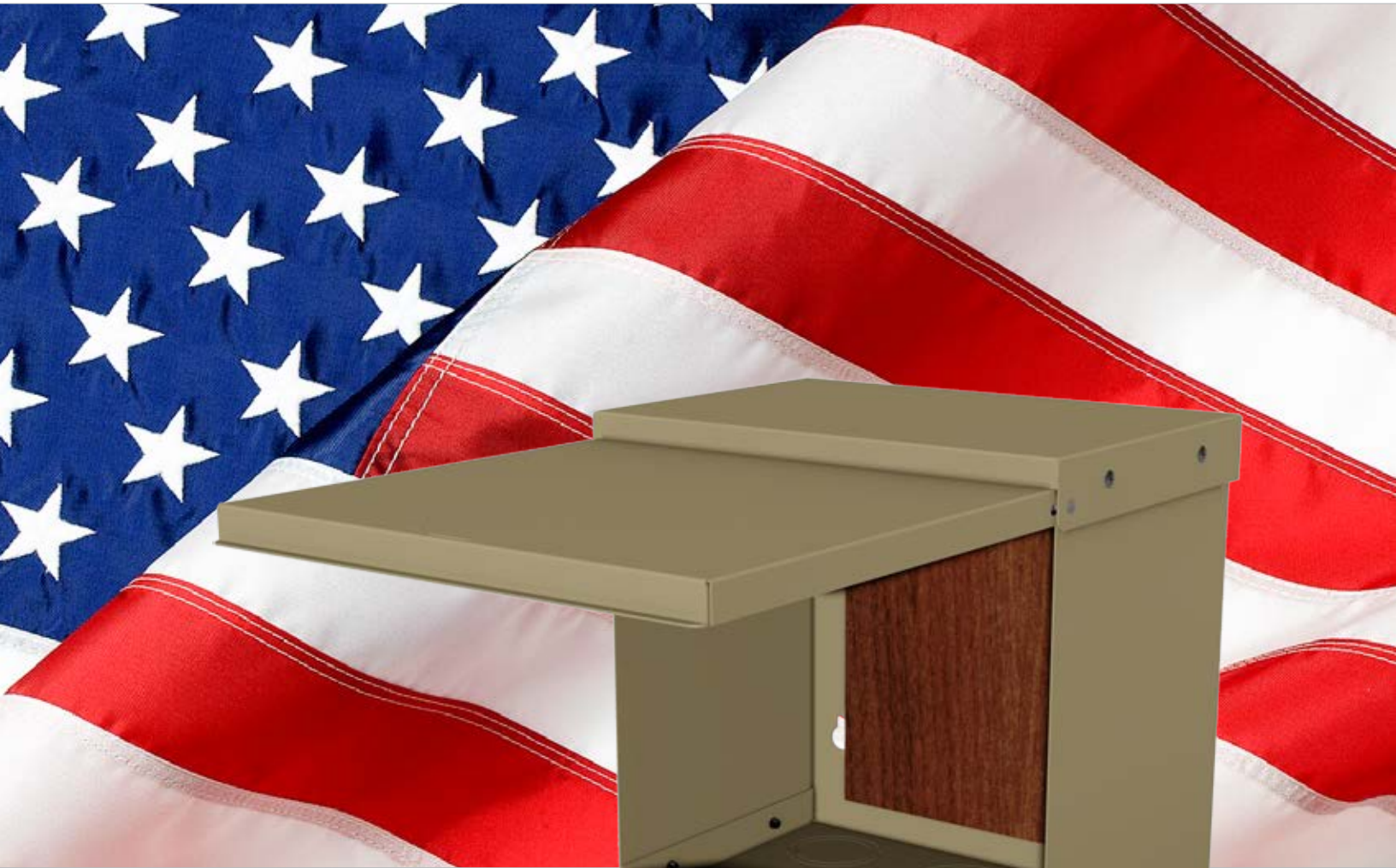


MDU Series

Medium Security Enclosures



Galvanized Steel



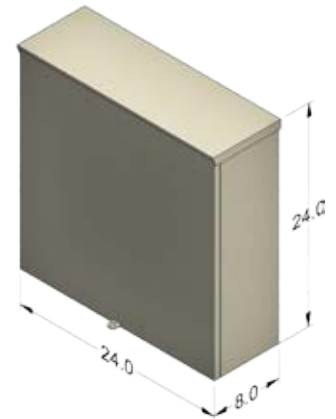
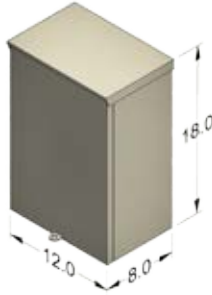
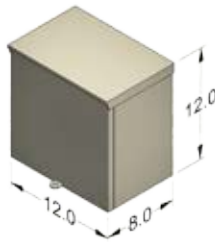
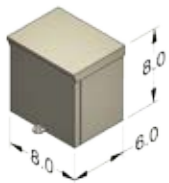
ver. 12/10/2018

AMERICAN
PRODUCTS 
Providing Enclosure Solutions

The Medium Security MDU enclosure is manufactured from heavy gauge galvanized steel, stainless steel hardware and powder coated a light beige color. It features a lift up latching door, replaceable padlock hasp, knockout for security screw, 2"x1.5" round knockouts on the bottom of the enclosure and a 1/2" plywood equipment mounting board.



Ideal for any MDU application, the medium security enclosure is designed to be user friendly and provide years of maintenance-free service.



Galvanized Steel

Texture Beige Body

Standard Color / finish
Colors shown here are approximate.



GR487 Powder Coat: Powder coated and tested to the Telcordia GR487 specifications for telecom enclosures.



Stainless Steel Hardware: We choose the highest quality materials to produce our enclosures. Type 304 stainless steel hardware will not rust in the field.

PART #	HxWxD	EST. WEIGHT
THMDU886-MS	8" x 8" x 6"	12 lbs
THMDU12128-MS	12" x 12" x 8"	17 lbs
THMDU12188-MS	18" x 12" x 8"	23 lbs
THMDU18248-MS	24" x 18" x 8"	41 lbs
THMDU24248-MS	24" x 24" x 8"	52 lbs

Call a Sales Representative for Assistance.