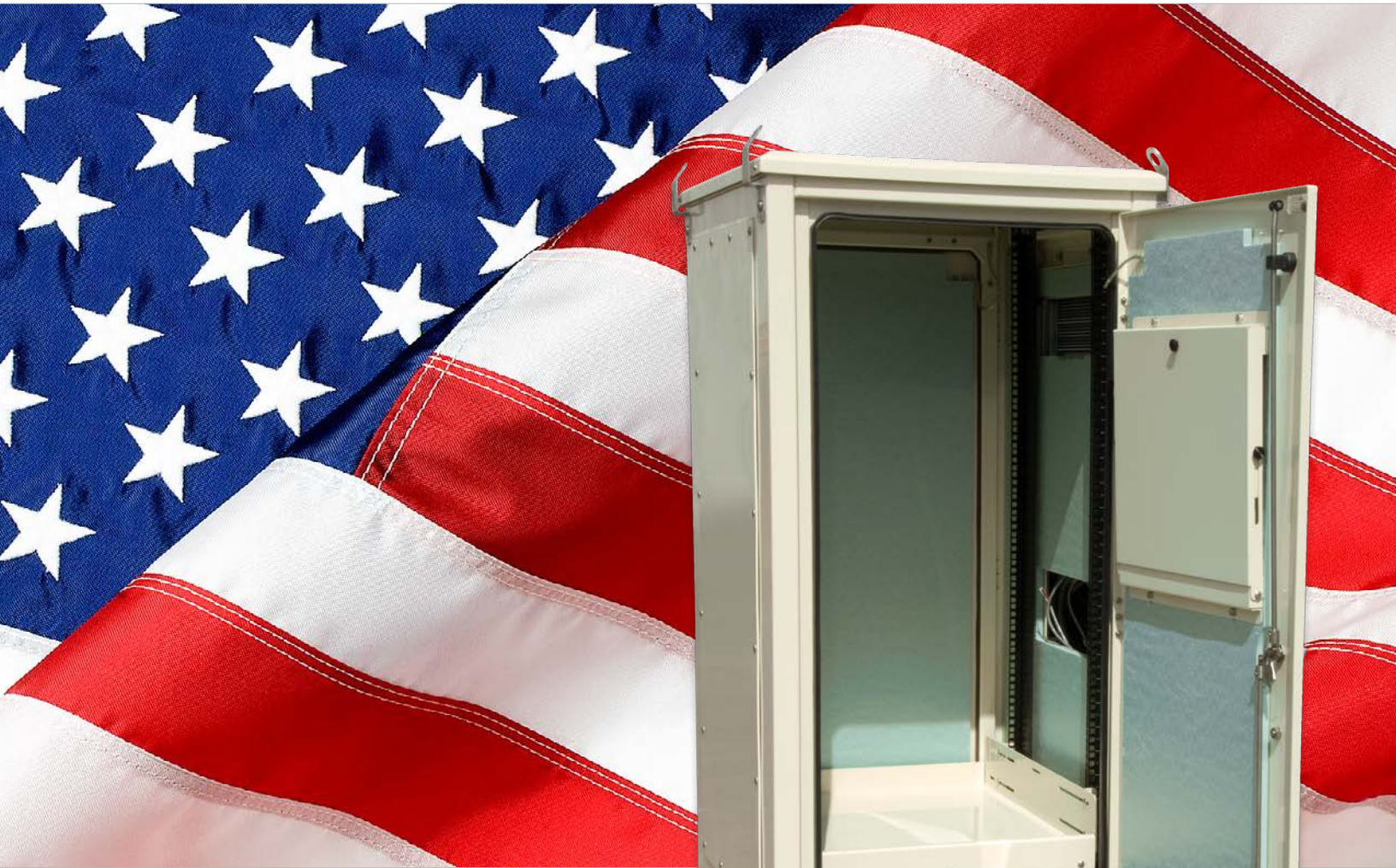


# *AP INDEPENDENCE*™

Outdoor Modular Enclosure for Rackmount Equipment



**AMERICAN**  
**PRODUCTS**   
*Providing Enclosure Solutions*

## AP INDEPENDENCE™ Standard Offerings



**.125 Aircraft Grade Aluminum:** Outstanding corrosion resistance.



**NEMA Protection:** Protection Level Type 3R. This enclosure protects against rain, sleet, snow, splashing water and damage from external ice formation.



**Stainless Steel Hardware:** We choose the highest quality materials to produce our enclosures. Type 304 stainless steel hardware will not rust in the field.



**GR487 Powder Coat:** Enclosures are powder coated and tested to the Telcordia GR487 specifications for telecom enclosures.



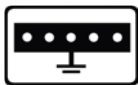
**Power:** A pre-wired 20 Amp quad receptacle is a standard feature.



**Numbered Adjustable Equipment Racks:** 19" or 23"



**Solar Shield Roof:** Includes a double wall roof to reduce the radiant heat and internal cooling requirements of the enclosure.



**Ground Terminal Strip:** 18 position aluminum strip



**Locking:** Extremely secure, strong and impermeable. Lockable handles and hinges are made from Type 304 stainless steel.



**Lifting Eyes:** Crane ready lifting eyes for a convenient way to offload and position your enclosure.



### Standard Color / finish choices:

*Colors shown here are approximate.*



Beige



White



Grey



Custom



**Call a Sales  
Representative  
for Assistance.**

**Expandability:**

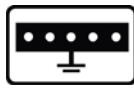
Remove side-mount adapter plates to add accessories or joining collars without sacrificing interior space. Cabinets may be expanded to meet your project requirements.



**AP INDEPENDENCE™ Options**



**Load Center**



**Upgraded  
Copper  
Ground Bar**



**Additional  
Set of Rails**



**Laptop  
Tray**



**Generator  
Plug &  
Interlock**



**LED Interior  
Lighting**



**Battery  
Compartment**



**L Rail Set**



**Door  
Alarm**



**Battery Tray**



**Insulation**  
Recommended for  
climate control options



**Mounting Plinth**  
4" or 6"

**AP INDEPENDENCE™ Climate Control Options**



**AC 1,000 to 12,000 BTU/hr\***

- Built-in Heater
- Corrosion Protection
- Cold Start Heater



**Exhaust Fan**

- 115VAC / 12, 24, 48VDC
- Adjustable Thermostat
- Filters



**Heat Exchanger**

- Consult factory for sizes.



**AC 1,000 to 6,000 BTU/hr**

- 48 VDC Powered



**Heater**

- Built in adjustable thermostat
- 100W-1000W 115VAC

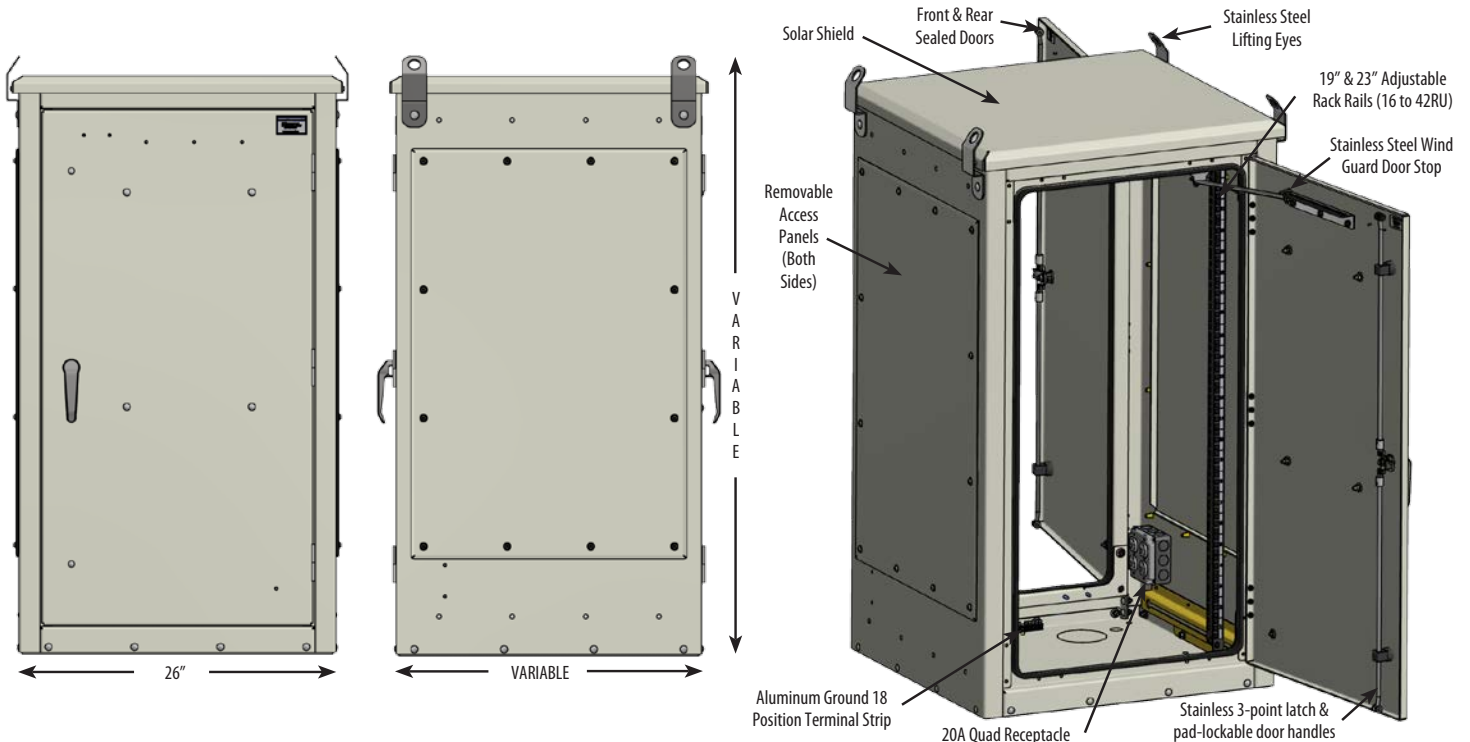


**Battery Heater Pad**

- 115VAC
- Fits on Battery Tray

**Call a Sales  
Representative  
for Assistance.**

## Basic Layout



## How to Order

RUs	HEIGHT	WIDTH	DEPTH	QUAD REP	RACK RAILS
16	32"	26"	25" or 30" or 36"	20 AMP	19" or 23"
24	47"	26"	25" or 30" or 36"	20 AMP	19" or 23"
30	58"	26"	25" or 30" or 36"	20 AMP	19" or 23"
36	68"	26"	25" or 30" or 36"	20 AMP	19" or 23"
42	78"	26"	25" or 30" or 36"	20 AMP	19" or 23"

**Try the Online Configurator to Design Your Own!**

**Call a Sales Representative for Assistance.**