

E-LIBERTY®

Series of Fiber Distribution Hubs

144, 288, 432 and 576 PON/Cross Connect Cabinets



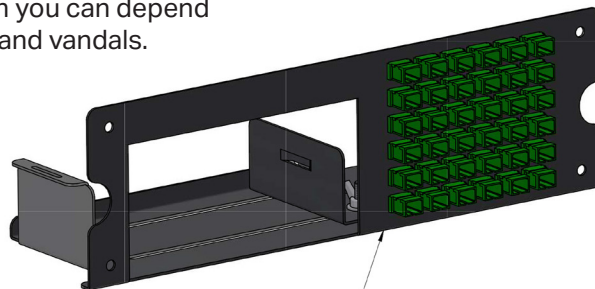
AMERICAN®
PRODUCTS

E-Liberty Series of PON/Cross Connect Fiber Distribution Cabinets

The E-Liberty is a cost-effective, ready-to-deploy PON solution you can depend on to protect your customers' connections from the elements and vandals.

Universal Splitter Panel

- Craft-friendly "add splitters as you grow" design
- Allows for use of any brand of cartridge, PLC, LGX & some proprietary splitters
- Supports split ratios: 1x2, 1x16, 1x32, 1x64, 1x128
- Integrated feeder fiber panel



Universal Splitter Panel

Isolated Locator Service Access

- No unauthorized entry into main fiber compartment

Fixed Fiber Panels

- Fiber connectors & cables stay locked in place
- No stress to fiber connections

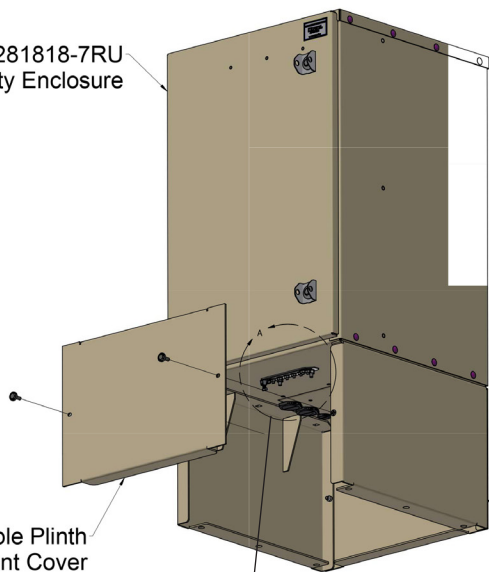
Secure Rear Access Panel

- Limits access to cables & rear connections
- Allows access for troubleshooting or major damage repair

Hot Slide Removable Cable Entrance

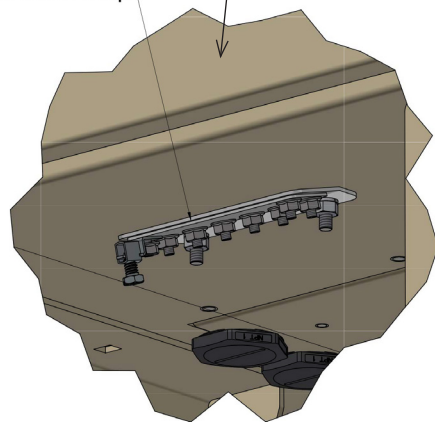
- Allows for reskinning of cabinet without loss of service
- Accommodates future expansion to larger cabinet

AMLE-281818-7RU
 Liberty Enclosure



Removable Plinth
 Front Cover

Bonding Terminal Strip

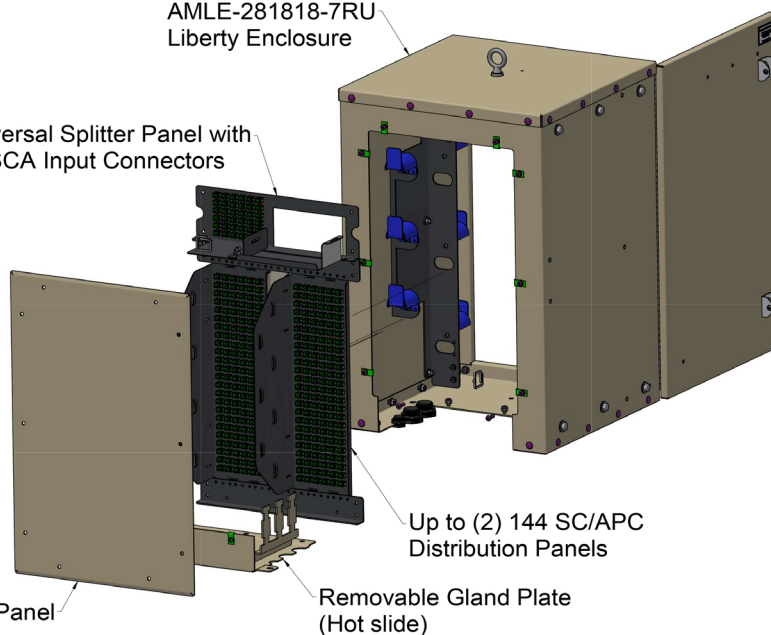


DETAIL A

Optional Mounting Plinth

AMLE-281818-7RU
 Liberty Enclosure

Universal Splitter Panel with
 36 SCA Input Connectors



Up to (2) 144 SC/APC
 Distribution Panels

Rear Access Panel

Removable Gland Plate
 (Hot slide)

**Call a Sales
 Representative
 for Assistance.**

ver. 04/21/2026

E-LIBERTY®

E-LIBERTY CONFIGURATIONS	144	288	432	576
Model Numbers	AMLE-2818-144	AMLE-2818-288	AMLE-2832-432	AMLE-2832-576
Cabinet Dimensions	28"Hx18"Wx18"D	28"Hx18"Wx18"D	28"Hx32"Wx18"D	28"Hx32"Wx18"D
Weight	96 LBS	120 LBS	190 LBS	210 LBS
Fiber Count	144 SC/APC	288 SC/APC	432 SC/APC	576 SC/APC
Fiber Count - Feeder	12 SC/APC	12 SC/APC	24 SC/APC	24 SC/APC
Stub Type and Length	Loose Tube - 100'	Loose Tube - 100'	Loose Tube - 100'	Loose Tube - 100'
Cable Entrance Glands	2	3	5	5
Mounting Options	Vault Lid, Pad or Pole Mount	Vault Lid, Pad or Pole Mount	Vault Lid or Pad	Vault Lid or Pad
Splitter Compartment	Large Capacity Universal Splitter Panel			
Splitter Types Supported	Cartridge, PLC, LGX & specific brand			
Hot-Slide Cable Entrance Panel	Exclusive removable cable entrance panel allows for cable & patch panels to be removed from the cabinets without having to cut & resplice fiber			

OPTIONS		
Splitter	AMSP-SCAP-1X32	Cartridge Style with 1M SCAPC bend-insensitive fiber leads
Parking Lot	AM-PKL-64	64 Position Parking Lot
Riser Base (Plinth)	AMLE-121818-MP	12" Tall Secure Mount Riser Base with Locator Access to Tone Grounding Strip
	AMLE-61818-MP	6" Tall Secure Mount Riser Base with Locator Access to Tone Grounding Strip
Pole Mount Bracket	AMLE-PM	Pole Mount Bracket

Call a Sales Representative for Assistance.

ver. 04/21/2026



With Plinth Mount



With Pole Mount

AMERICAN[®]
PRODUCTS

597 Evergreen Road | Strafford, Missouri 65757
Phone: 417-736-2135 | Toll Free: 855-736-2135
amprod.us