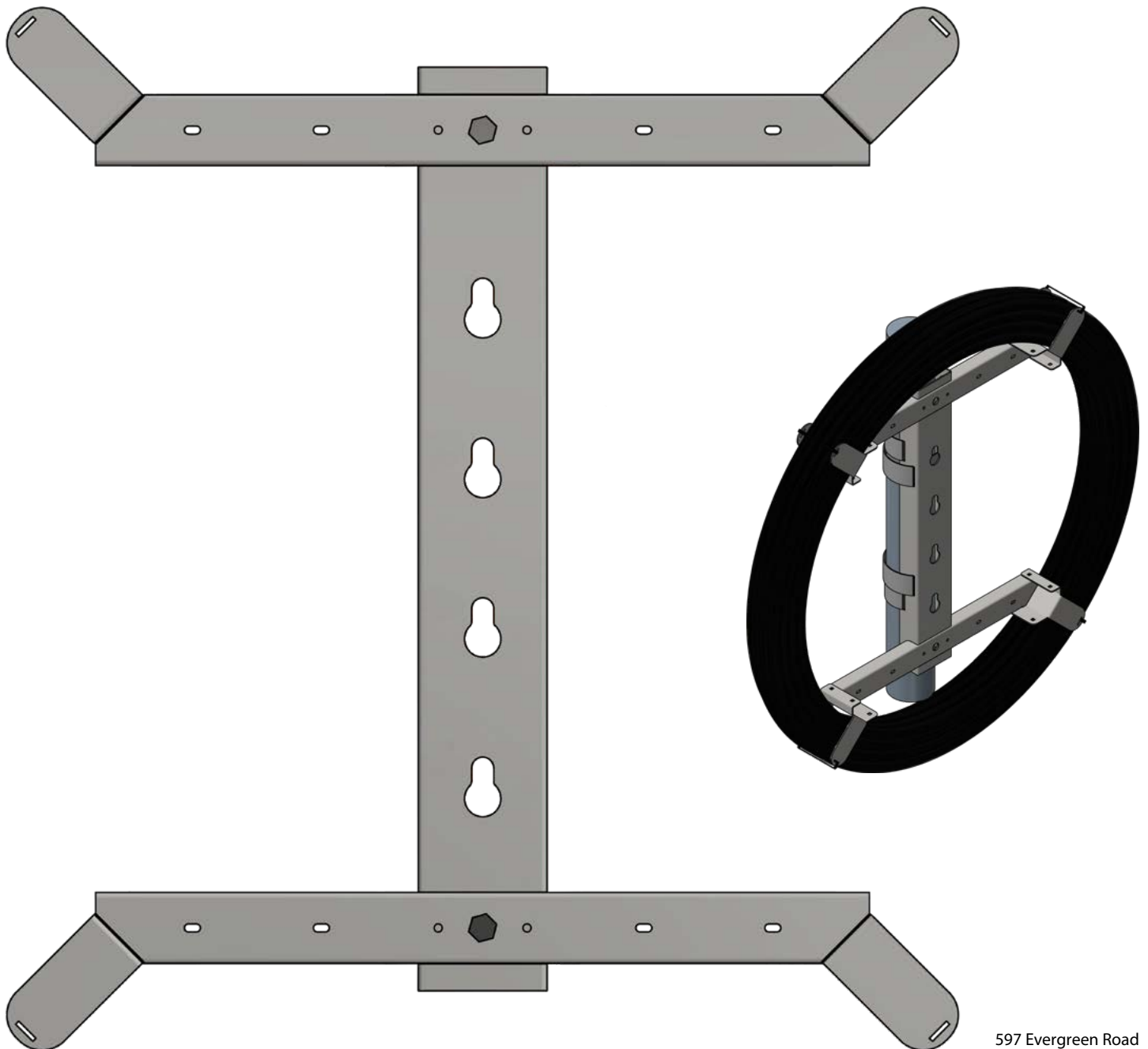


# H-FRAME

Pole Mount Fiber Slack Storage for Outdoors

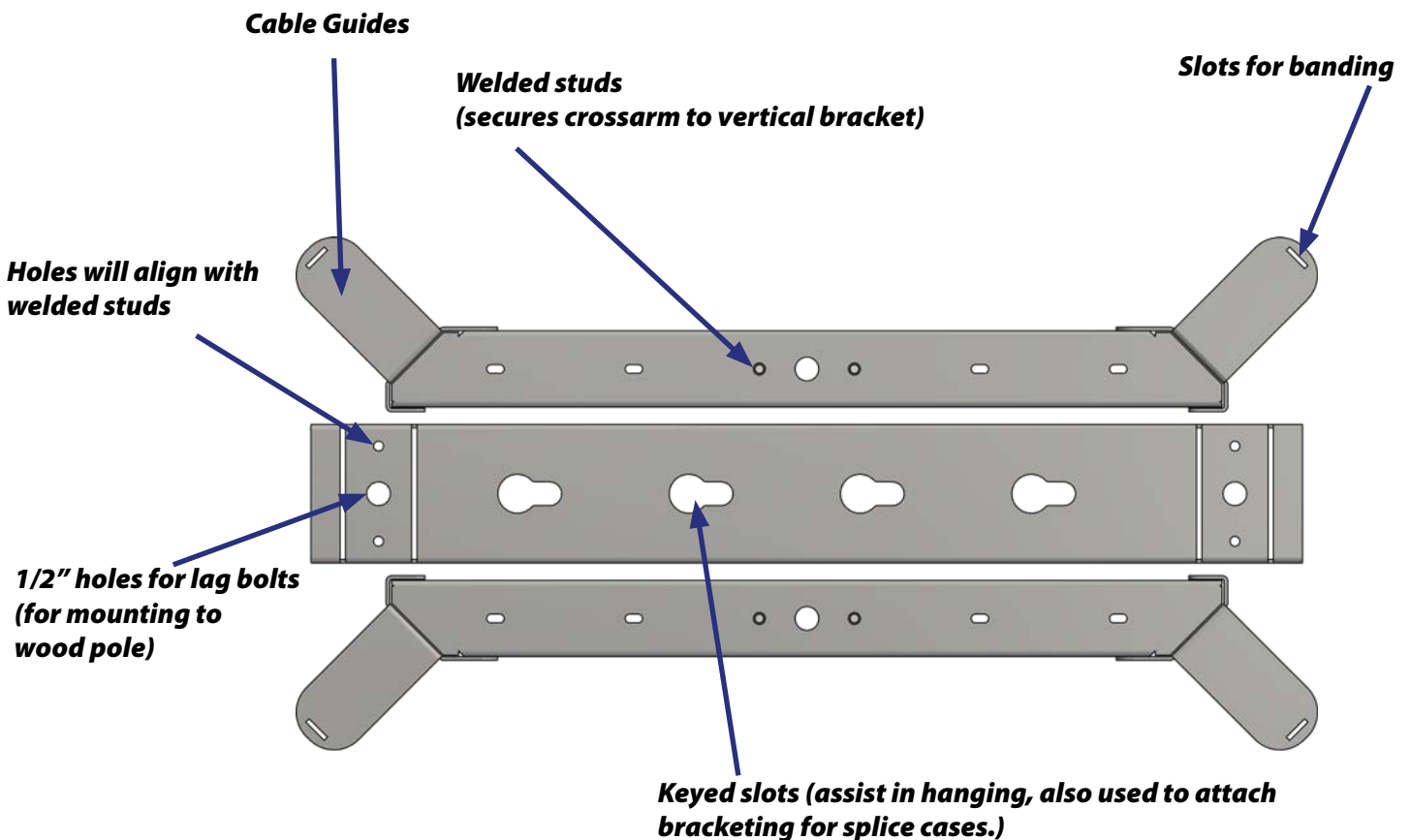
*Installation Instructions*



## What's in the Box

The American Products H-Frame is shipped TWO per carton. One complete frame includes the following components:

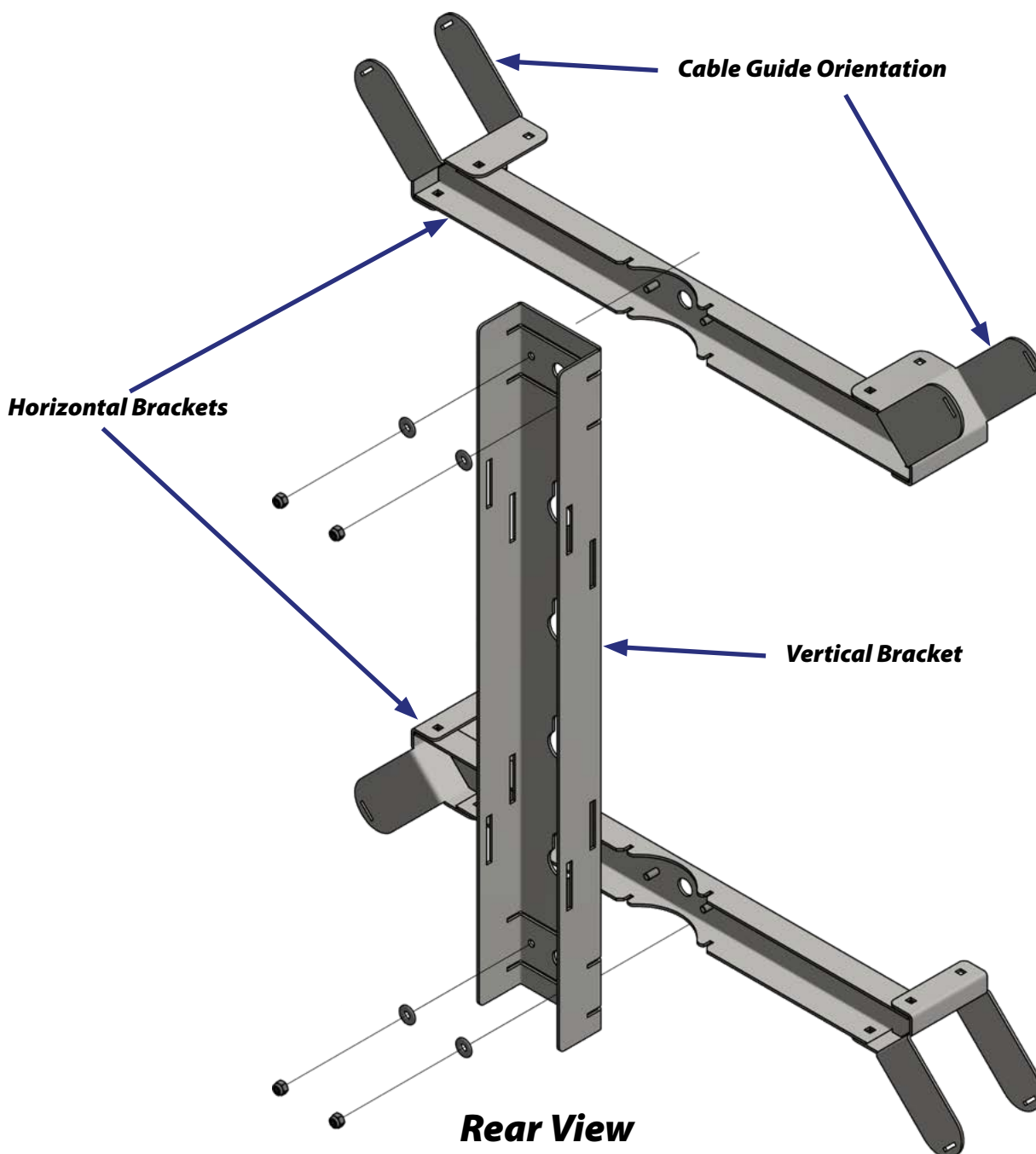
1. Horizontal Cross-Arm Brackets (2) (Note: *Top and Bottom Brackets are Identical*)
2. Vertical Bracket (1)
3. SS Hardware kit (1)
  - 1/4" Split Ring Washer (4)
  - 1/4" Lock Nut (4)



## Assembly

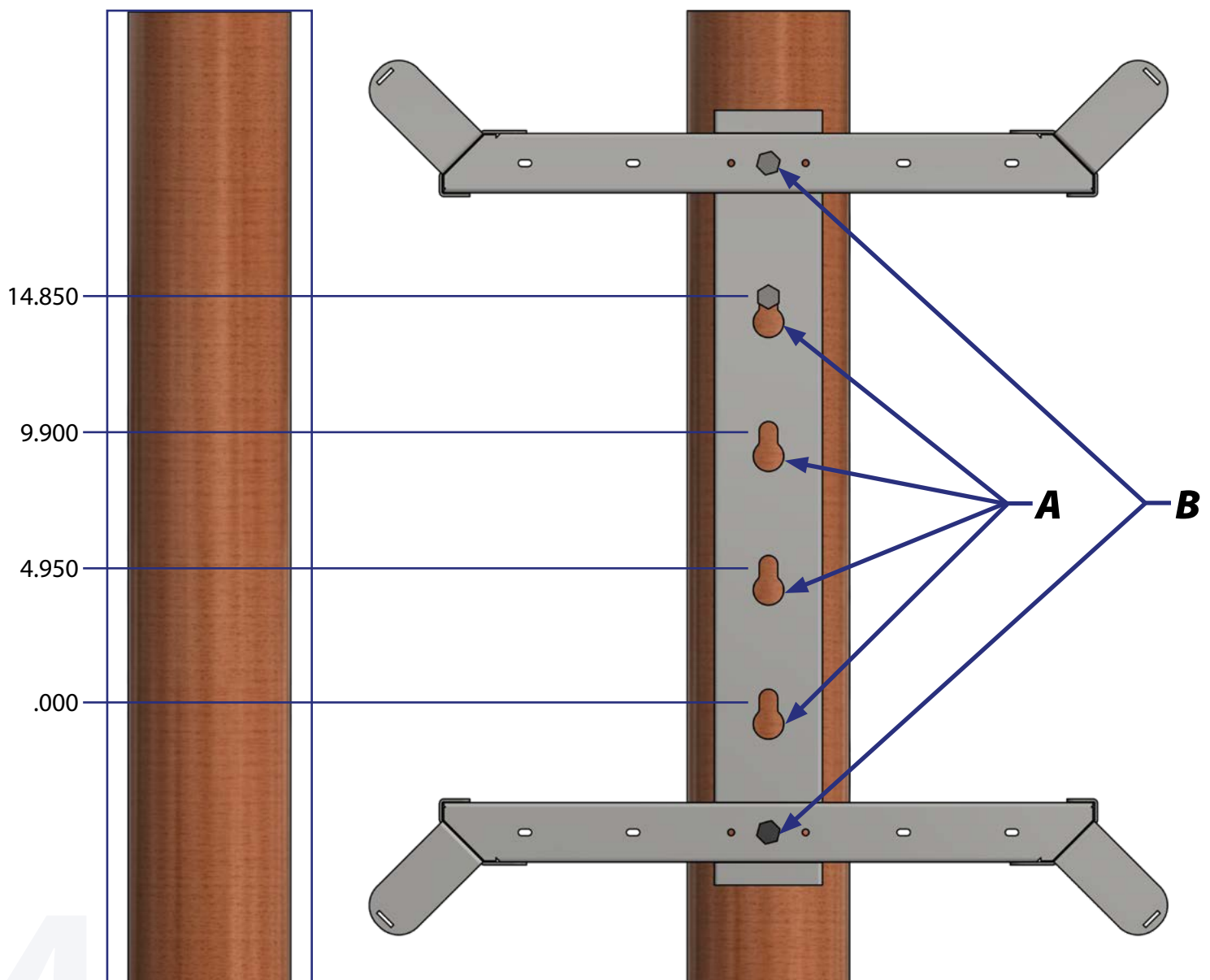
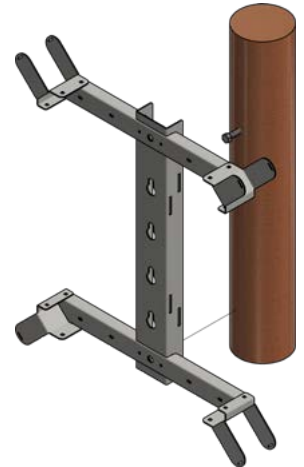
The American Products H-Frame was designed to be symmetrical. The top and bottom brackets are the same and can be installed on either side of the verticle bracket.

1. Align the holes on the verticle bracket with the studs on the horizontal bracket.
2. Insert split ring washers onto studs protruding through vertical bracket
3. Use included lock nuts to attach brackets together. (Observe orientation of cable guides)



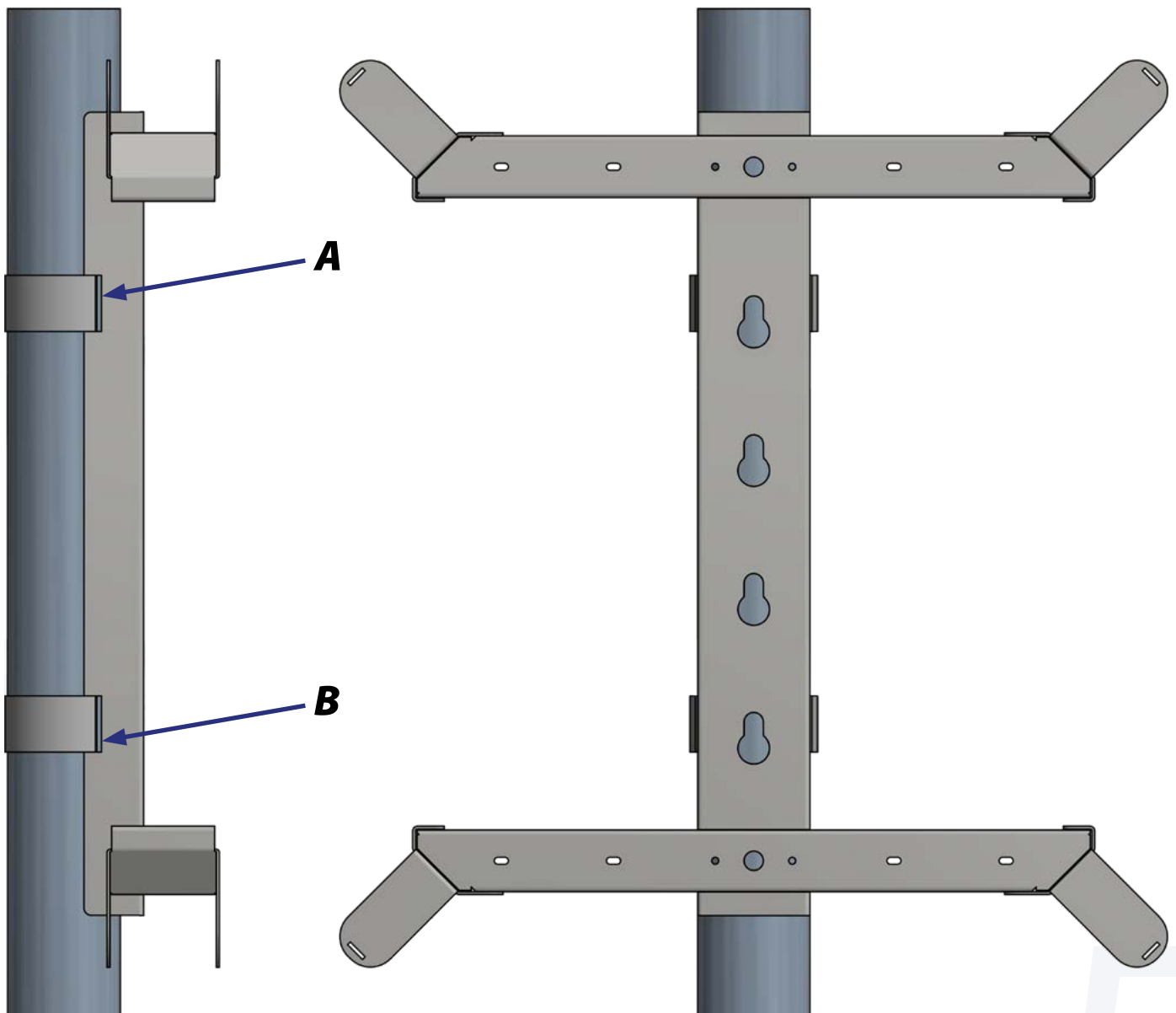
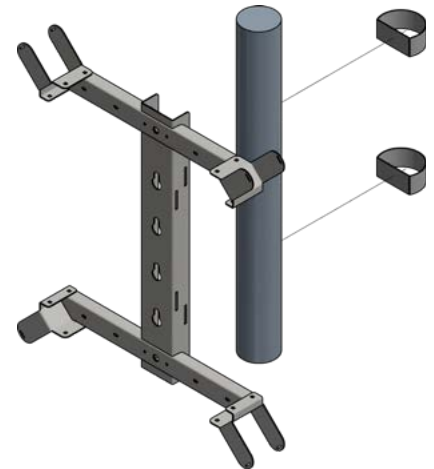
## Wood Pole Mounting

1. Mark desired hole center for the keyhole slot (4.95" apart) on the pole in desired mounting location
2. Install 1, 1/2" lag bolt (not supplied) onto pole in desired location
3. Align bracket with the lag bolt head and insert onto lag bolt
4. Slide the assembly down to lock into place
5. Install 2 more 1/2" lag bolts in the two remaining holes (B)



## Metal Pole Mounting

1. Place bracket against steel pole in desired mounting location.
2. Thread band clamps through locations (A) (B)
3. Cinch bands down to fasten bracket to steel pole
4. Double check bands to make sure they are tight enough to hold the bracket, as well as cable load on the pole without issue



**AMERICAN<sup>®</sup>**  
**PRODUCTS**   
*Turn-Key Enclosure Solutions*

597 Evergreen Road Strafford, Missouri 65757

Phone: 417-736-2135 Toll Free: 855-736-2135

[www.amprod.us](http://www.amprod.us)