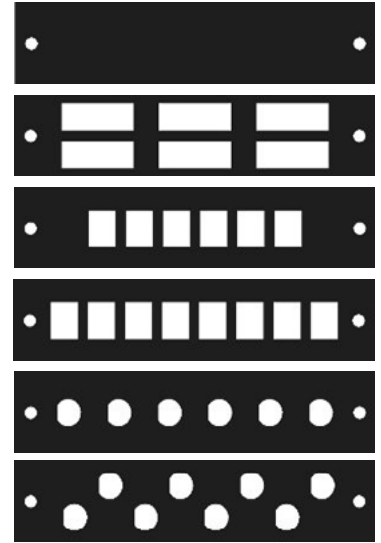


Plates and Adapters

To accompany all American Products fiber optic enclosures, American Products developed snap-in fiber adapter plates that are versatile enough to meet any fiber application and durable enough to withstand field installations.

- Available in 6-, and 8-port fiber configurations
- Panel options available include ST, FC, SC, LC and others
- High density applications can be reached through Dual and Quad LC applications



Standard Color / finish:
Color shown here is approximate.



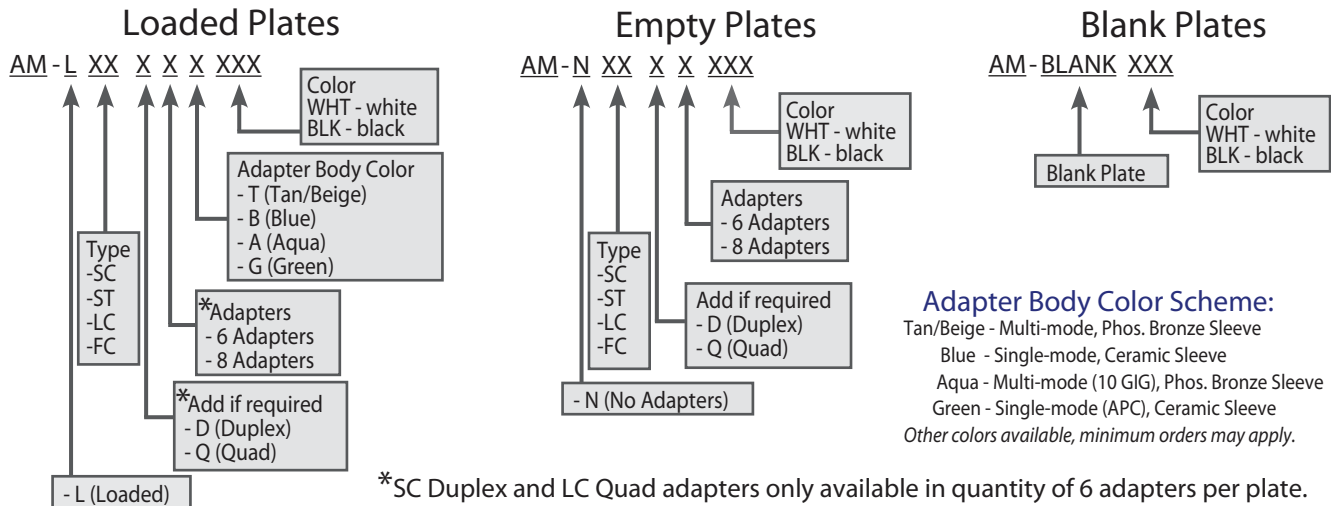
SC Simplex & Duplex



LC Duplex & Quad

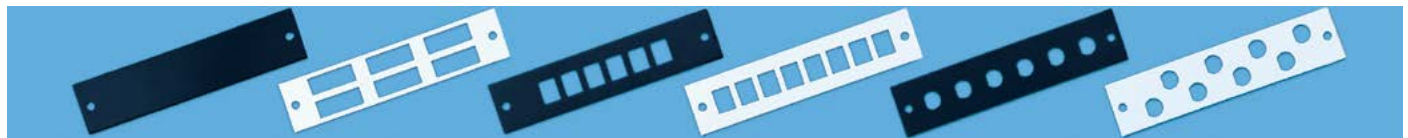


Part Number Matrix for AM Series Loaded/Unloaded Fiber Optic Adapter Plates



Adapter Body Color Scheme:
 Tan/Beige - Multi-mode, Phos. Bronze Sleeve
 Blue - Single-mode, Ceramic Sleeve
 Aqua - Multi-mode (10 GIG), Phos. Bronze Sleeve
 Green - Single-mode (APC), Ceramic Sleeve
 Other colors available, minimum orders may apply.

*SC Duplex and LC Quad adapters only available in quantity of 6 adapters per plate.



Call a Sales Representative for Assistance.